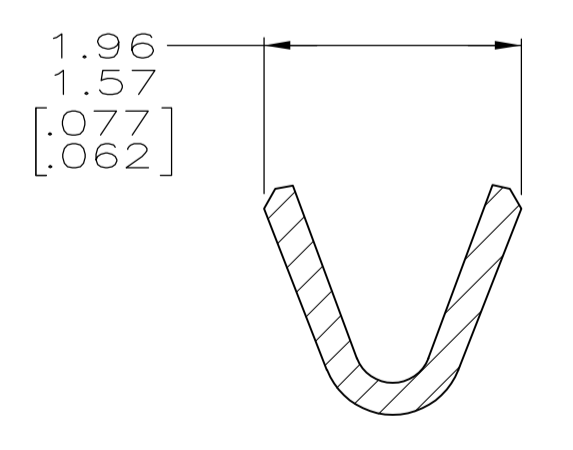


SECTION X-X
INSULATION BARREL
SCALE 20:1



SECTION Y-Y
WIRE BARREL
SCALE 20:1

1. FOR MINI-APPLICATOR CRIMPING.
2. WIRE RANGE IS 22-26 AWG AND INSULATION RANGE IS 1.02/1.27 [.040/.050].
3. PLATED WITH 0.76µm [.000030] GOLD ON INSIDE OF LOCALIZED GOLD PLATE AREA, GOLD FLASH ON ZONE 1, ALL OVER 1.27µm [.000050] NICKEL UNDERPLATE.
-OR-
GOLD FLASH OVER PALLADIUM-NICKEL 0.76µm [.000030] TOTAL ON INSIDE OF LOCALIZED GOLD PLATE AREA, GOLD FLASH ON ZONE 1, ALL OVER 1.27µm [.000050] NICKEL UNDERPLATE.
4. GOLD FLASH PER MIL-G-45204 ON INSIDE OF LOCALIZED GOLD PLATE AREA, GOLD FLASH PER MIL-G-45204 ON ZONE 1, ALL OVER 0.76µm [.000030] NICKEL UNDERPLATE PER QQ-N-290.
5. 0.025µm [.000001] MIN GOLD PER MIL-G-45204 ON MATING END FOR A LENGTH OF 2.54 [.100] MIN., TIN PLATED WIRE BARRELS, ALL OVER 0.76µm [.000030] NICKEL PER QQ-N-290.
6. SELECTIVE GOLD PLATED 0.76µm [.000030] THICK PER MIL-G-45204 ON MATING END FOR A LENGTH OF 2.54 [.100] MIN., TIN PLATED WIRE BARRELS, ALL OVER 1.27µm [.000050] NICKEL PER QQ-N-290.
7. COLOR CODE YELLOW IN THIS AREA INDICATES 22-26 AWG WIRE RANGE. ONLY LOOSE PIECE PART NUMBERS ARE COLOR CODED.
8. GOLD PLATING MAY NOT APPEAR ON CARRIER STRIP.

OBSOLETE	STANDARD	6	LOOSE PIECE	1	1-745253-6
OBSOLETE	STANDARD	6	STRIP	1	1-745253-4
OBSOLETE	STANDARD	5	LOOSE PIECE	1	1-745253-3
OBSOLETE	STANDARD	5	STRIP	1	1-745253-1
	STANDARD	4	LOOSE PIECE		745253-7
	STANDARD	3	LOOSE PIECE		745253-6
	STANDARD	4	STRIP	1	745253-3
	STANDARD	3	STRIP	1	745253-2
	PACKAGING TYPE	FINISH	TYPE		PART NUMBER

THIS DRAWING IS A CONTROLLED DOCUMENT. DIMENSIONING AND TOLERANCING PER ASME Y14.5M-2009.

DIMENSIONS: mm [INCHES]	TOLERANCES UNLESS OTHERWISE SPECIFIED:	DIN S. WELDON 11-3-80	TE Connectivity
0 PLC ± -	1 PLC ± -	CIK 11-5-80	
2 PLC ± 0.13 [.005]	3 PLC ± -	APVD R. BAER 11-10-80	NAME
4 PLC ± -	ANGLES ± °	PRODUCT SPEC	SOCKET CONTACT, SIZE 20 DF, 22-26 AWG, W/.040-.050 DIA INSULATION SUPPORT
MATERIAL PHOS. BRONZE PER	FINISH SEE TABLE	APPLICATION SPEC	SIZE
		WEIGHT	114-10000
		CUSTOMER DRAWING	SCALE 15:1 SHEET 1 OF 1 REV M